



Where Life is Sweet

WATER DEPARTMENT
180 N.E. 2nd Street
Hermiston, OR 97838
BACKFLOW INQUIRIES
Phone: 541-667-5072 Fax: 541-567-6731
ALL OTHER INQUIRIES 541-567-5521
www.hermiston.or.us

NOTICE OF BACKFLOW TESTING REQUIREMENT FOR CUSTOMERS

PERIODIC TEST AND MAINTENANCE REPORT
Backflow Prevention Device

The protection of the drinking water supply in the City of Hermiston is of utmost importance. If you have a backflow prevention device(s) installed at this location it is due for its annual test, as required by State of Oregon Health Division Rules Chapter 333-061-0070, subsections 1 thru 12. This may be the first time you have received a notice for your backflow device to be tested. Due to State of Oregon Rules, you are required to have your backflow device tested yearly and submit those results to the City of Hermiston.

The Oregon Health Authority (OHA) provides a current public list of certified Backflow Assembly Testers. You can use this list to select and contact a tester that is currently certified and has indicated availability and appropriate licensing to test assemblies for compensation. Only Oregon OHA-certified Testers can test assemblies in Oregon. https://yourwater.oregon.gov/backflow.php?county=Umatilla Please be sure to ask if they also can repair your device if need be, you may have to contact a certified plumber to do this for you.

Upon completion, a copy of the test results need to be forwarded to the City of Hermiston Water Department, 180 NE 2nd Street. In the event that you have had the required testing done for 2017, please forward the tests results and disregard this letter. Test results are due no later than September 30th, 2018.

Additional information relative to this matter may be obtained by calling or writing to the City of Hermiston Water Department at the address listed above or by calling the number listed at top of this notice you may also visit http://www.hermiston.or.us/water/backflow.

If no backflow assemblies exist at your location, please provide us with the applicable information listed below, and return to the City of Hermiston no later than September 30, 2018. Please be advised some properties may have a non-testable AVB (Atmospheric Vacuum Breaker) device. If you have such a device, it will need to be inspected and reported in the same manner as stated above.

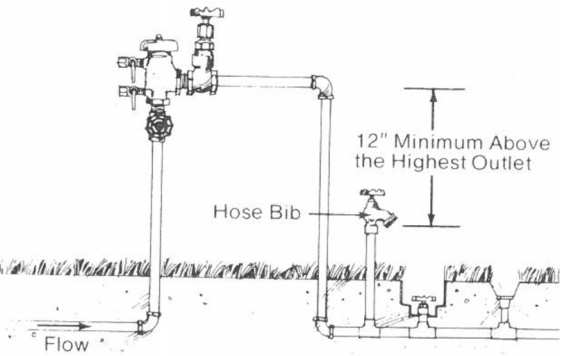


Return this portion with your utility payment if the following applies to your location:

[] There is no backflow device at this location Location Address: _____

Name on Account (Printed): _____ Signature: _____

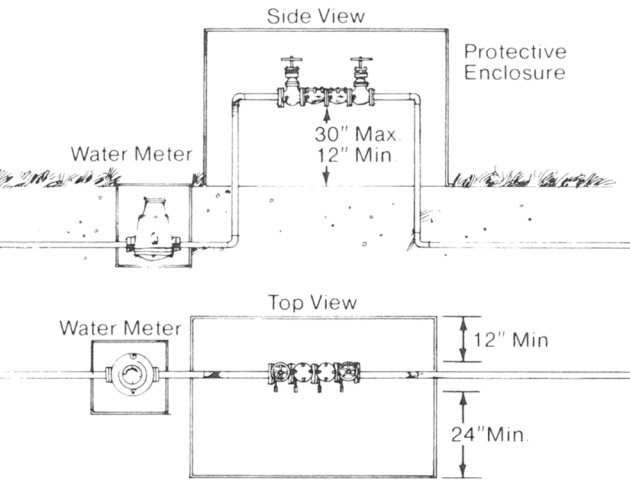
EXAMPLES OF TYPICAL BACKFLOW PREVENTER INSTALLATIONS



PRESSURE VACUUM BREAKER

These are typically **found near a house or building** and will be above ground at highest point on lot. This installation shows a sprinkler system application.

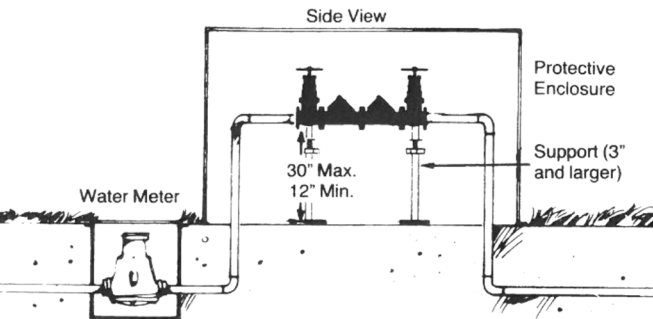
Typical applications would be for irrigation sprinklers.



DOUBLE CHECK /DOUBLE DETECTOR CHECK VALVE

These are typically **found near the water meter box, placed above or below the surface in a vault/box, in garages or mechanical rooms.**

Typical applications would be:
Irrigation sprinklers, pools, hot tubs, schools, multi-family housing, hotels, motels, supermarkets, restaurants, mini-marts, soda pop dispensers



REDUCED PRESSURE BACKFLOW ASSEMBLY

These are typically **above ground in an insulated box or in a mechanical/maintenance room.**

Typical applications would be for car washes, breweries, industrial plants, laboratories, laundries, wells, concrete plants, medical/dental facilities

***State of Oregon Health Authority public list of certified backflow assembly testers (Umatilla County)**

Name	Phone Number	Employer	Address
Nathan Carper	541-938-5451	Carter Plumbing Inc.	PO Box 705, Milton-Freewater, OR 97862
Randy Coller	541-561-7078	Mechanix Inc.	741 W Sandpiper Ave, Hermiston, OR 97838
Jeff Dooley	541-278-2800	Pendleton Plumbing LLC.	1802 SW Emigrant Ave, Pendleton, OR 97801
Aaron Davis	541-720-0486	C & G Backflow Testing	266 E. Grouse Court, Hermiston, OR 97838
Daniel Deist	541-276-5945	McLaughlin Landscape	1160 Tutuilla Rd, Pendleton, OR 97838
Zackary Wagoner	541-571-0763	Round-Up City Plumbing	1113 SE Alexander Ave, Pendleton, OR 97801
Matthew Morris	541-276-7221	Rob Merriman Plumbing Inc	4354 Westgate, Pendleton, OR 97801
Quinn Peck	541-276-5945	McLaughlin Landscaping	1160 Tutuilla Rd, Pendleton, OR 97801
Steven Peterson	541-561-1980	Peterson Backflow Testing	P.O. Box 1306, Hermiston, OR 97838
Christopher Thomas	541-969-4444		1113 SE Alexander Ave, Pendleton, OR 97801
Matthew Mechaca	541-567-8660	Trera Verde Landscape	660 NE North Street, Hermiston, OR 97838

*For a complete list of certified testers visit: <https://yourwater.oregon.gov/backflow.php?county=Umatilla>